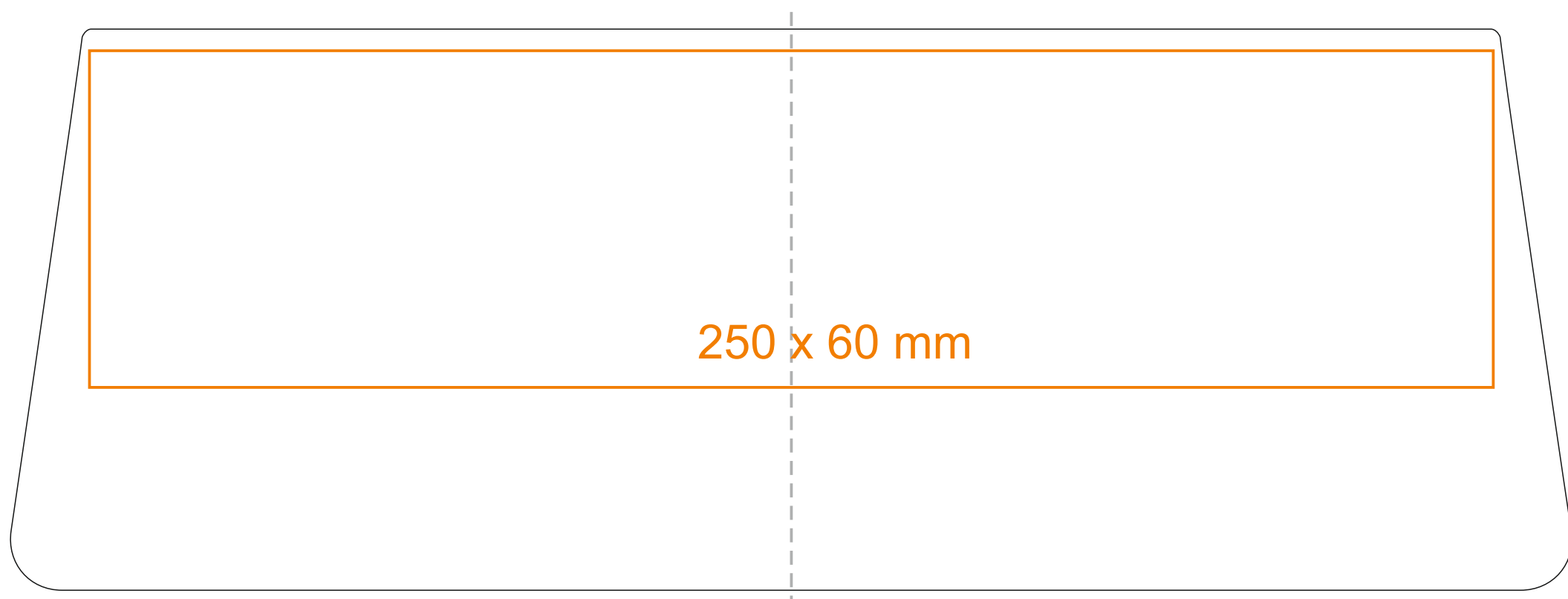
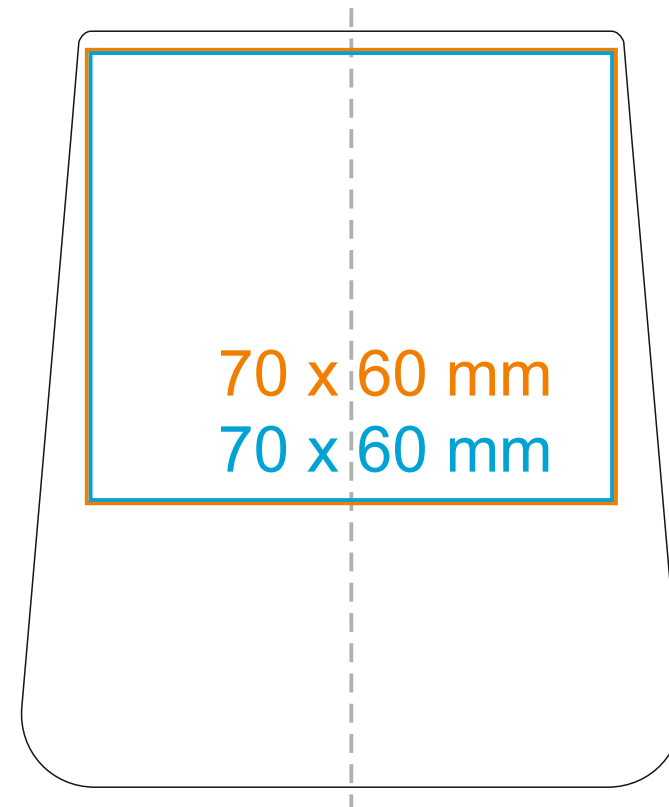
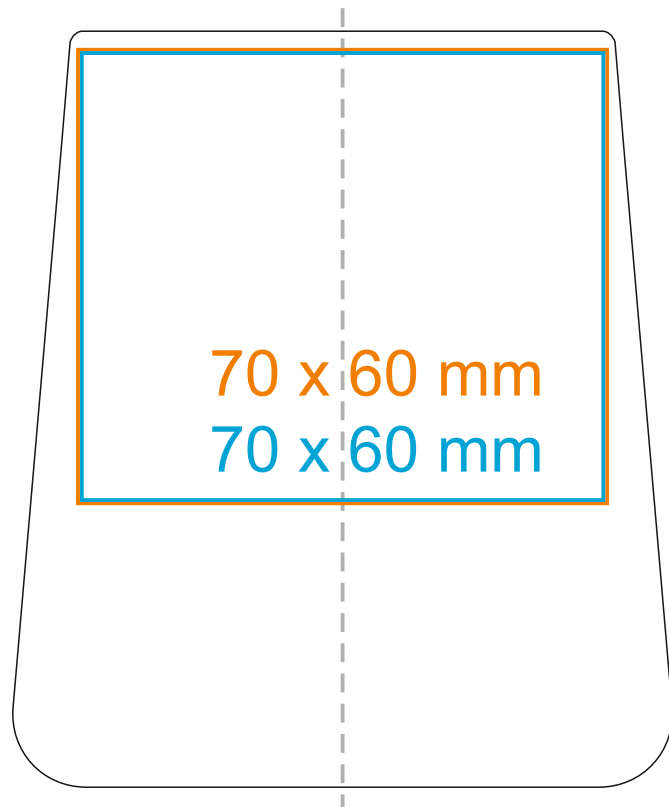


G_529 Serena

400 ml / h: 100 mm / Ø 71 mm



*In the case of projects for transfer print running outside of the standard print area, please contact our sales department.

[How to prepare print material](#)

meaning

- Transfer Print
- Laser Engraving